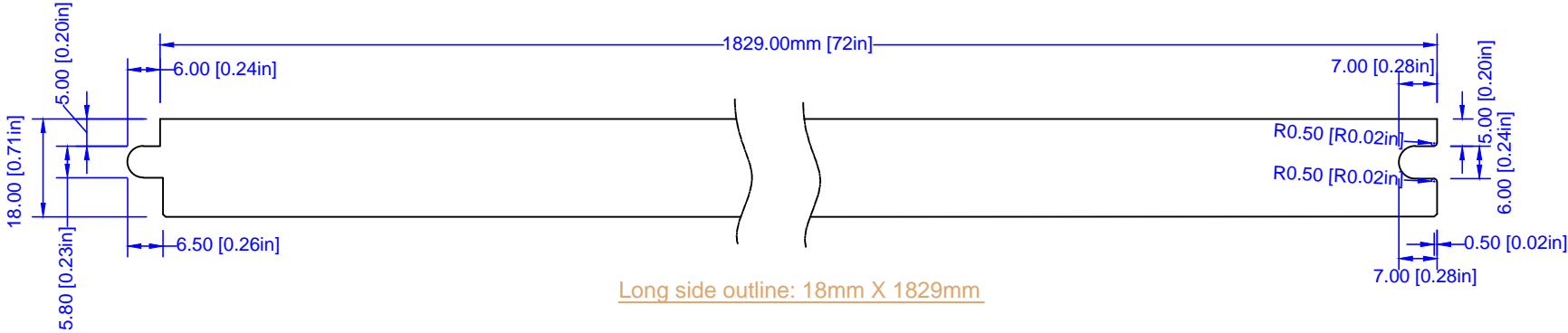


Short side outline: 18mm X 137mm

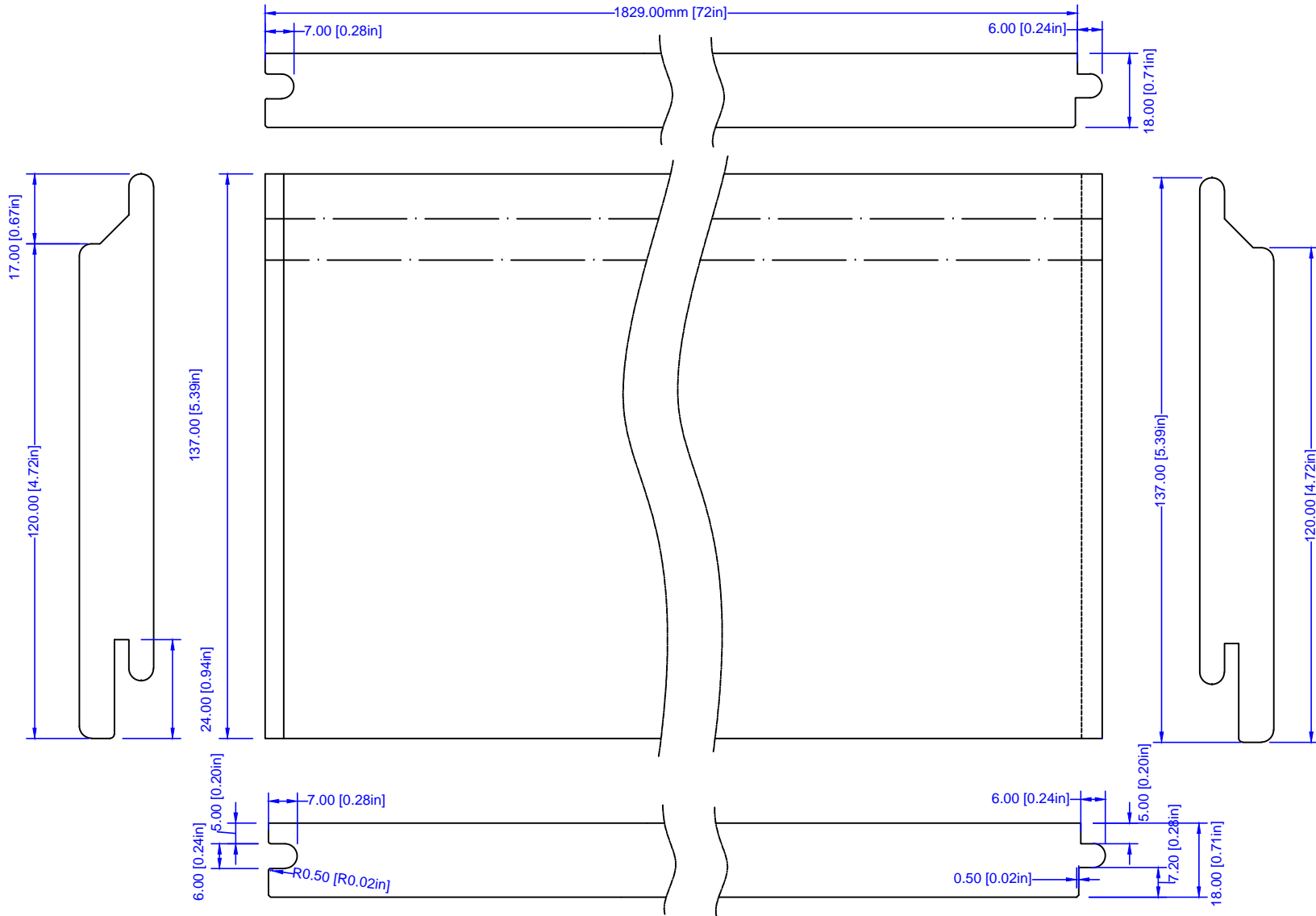


Long side outline: 18mm X 1829mm

Note: surface end heads need the right angle

REVISED BY: Lina.L	REVISE ON:	PAGE NO.:	PRODUCT: XTR-SID18-137TG-PP 6" Siding : 18mm x 137mm	Thickness tolerance: ±0.2mm
REVISED DATE:			TITLE: Profile	Width tolerance: ±0.2mm
SAP V.:			DRAWN BY: Lina.L DATE: Jan 01, 2018 SCALE: 1:1 CONTACT: 1-404-691-6872	length tolerance: ±1mm
dasso XTR			FILE: XTR-SID18-137TG-PP.DWG	PRINTED:





REVISED BY: Lina.L
 REVISED DATE:
 SAP V: dasso XTR

REVISION: PAGE NO:



PRODUCT: XTR-SID18-137TG-PP 6" Siding : 18mm x 137mm
 TITLE: Overview
 DRAWN BY: Lina.L DATE: Jan 01, 2018 SCALE: 1:1 CONTACT: 1-404-691-6872
 FILE: XTR-SID18-137TG-PP.DWG PRINTED:

Thickness tolerance: ±0.2mm
 Width tolerance: ±0.2mm
 length tolerance: ±1mm